

INTELWEIGH | Compact MH 15 crane scale

INTELWEIGH
Compact MH
- a revolution
in weighing of
hanging load

Intelligent weighing
Advanced algorithm
calculates the weight



KEY FEATURES

- Max. machine size 60 t.
Measuring range: 15 000 kg.
- Extremely low-built design.
- No movable parts gives the Compact MH 15 scale high durability and minimal maintenance.
- Overdimensioned construction - measuring range x 3.
- Can easily be adapted to fit any crane and grab.
- Wireless.
- High resolution load cell. Several strain gages for optimal accuracy.
- Integrated motion control.
- Easy installation. Delivered pre-calibrated – "plug-and-play".
- Extra high capacity battery - up to 1200 crane hours.
- Long range radio – 50 m secure transmission.
- User interface: Flexible Android app comes pre-installed in a rugged IP 67 Android smartphone or tablet.

INTERMERCATO ↑

High performance lift and load
attachments for Forestry, Transport,
Construction and Recycling.

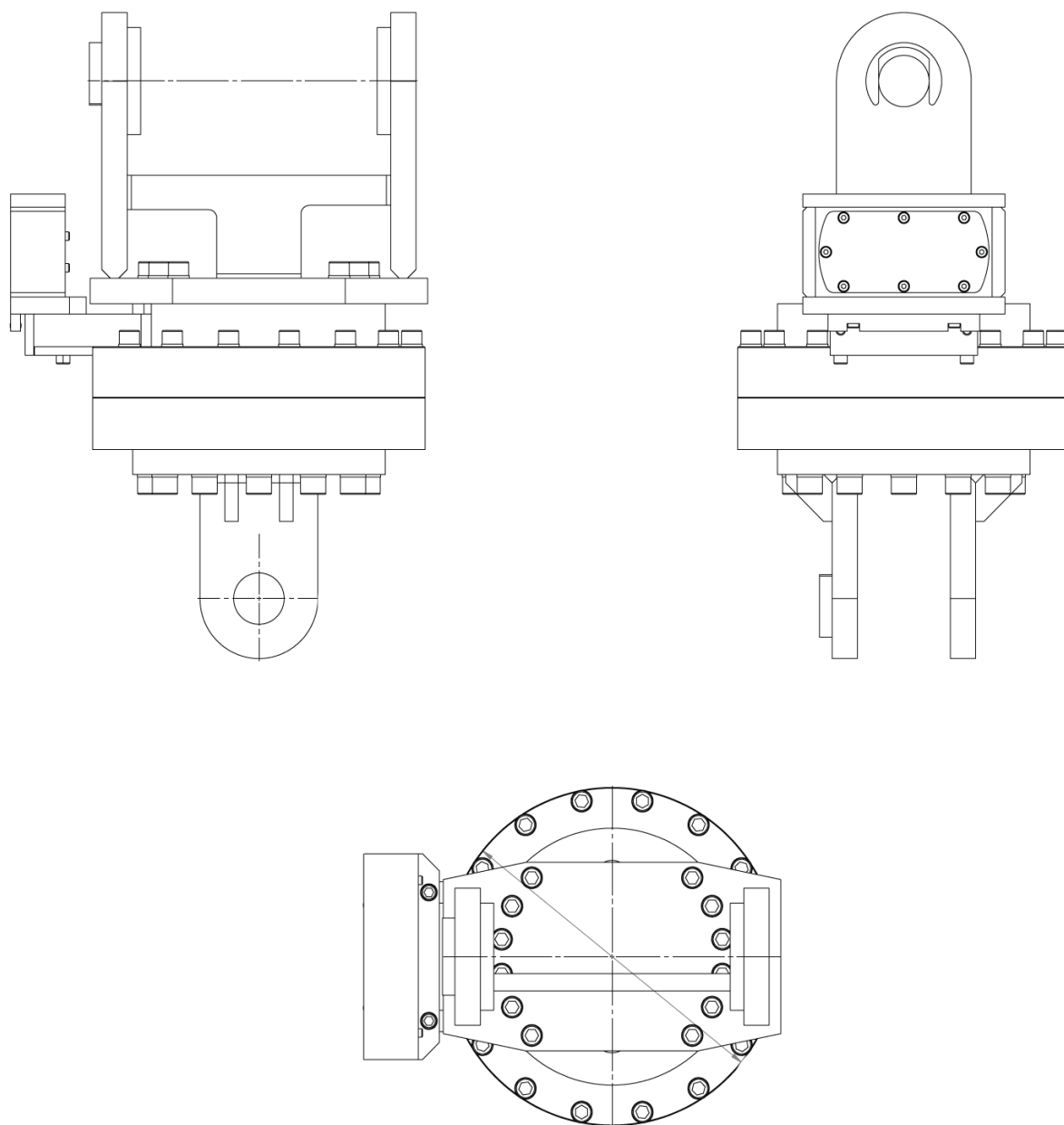


INTELWEIGH | Compact MH 15 crane scale

NEW WIRELESS CRANE SCALE FROM INTERMERCATO - INTELWEIGH Compact MH (pat-pending)

The INTELWEIGH Compact MH 15 scale is made for the tough job - today and tomorrow.

The INTELWEIGH Compact MH 15 is the result of decades of experience in strain gage technology and Intermercato engineering-team innovations.



INTERMERCATO

High performance lift and load attachments for Forestry, Transport, Construction and Recycling.

